



CHEVROLET MOTOR DIVISION  
 General Motors Corporation  
 Chevrolet Service Department



# Chevrolet Dealer Service Technical Bulletin

68-T-12

Number:

XII

Section:

Jan. 2, 1968

Date:

Subject: INSTRUMENT CLUSTER GROUND CIRCUIT -  
 1968 PASSENGER CARS

Attn: Service Manager

To: ALL CHEVROLET DEALERS

This bulletin is written to illustrate the ground strap location on 1968 Chevrolet Passenger Cars as an aid to diagnosis of instrument cluster unit malfunction complaints such as an intermittently inaccurate fuel gauge or clock and flickering illumination lights.

This type complaint is sometimes due to a poor cluster ground circuit resulting from a loose connection at either end of the ground strap. Early production vehicles have one ground strap while vehicles built after October, 1967 have an additional ground wire to insure a positive ground circuit.

The following pages illustrate these ground circuits and describe possible symptoms and a procedure to aid in diagnosis of cluster problems.

Chevrolet Motor Division  
 General Motors Corporation

c: Dealer List  
 Chevrolet List

Important That All Service Personnel Read—Please Initial

Service Manager		Shop Foreman		Service Salesman			Service Technicians					

Symptoms of poor or intermittent instrument cluster ground circuits are:

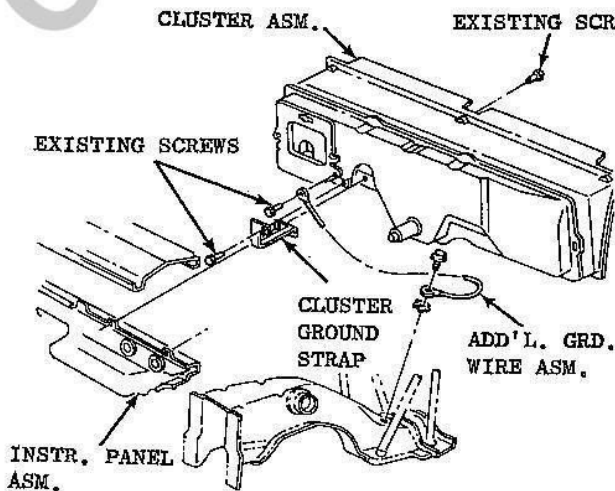
1. Flickering cluster lights.
2. Constant glow of both turn signal indicator lamps on dash, and their brightness may be controlled by dash light rheostat.
3. Intermittantly inaccurate fuel gauge.
4. Hi-beam indicator lamp comes on.
5. Clock inaccurate on stops.

Diagnosis of instrument cluster unit malfunctions should proceed as follows:

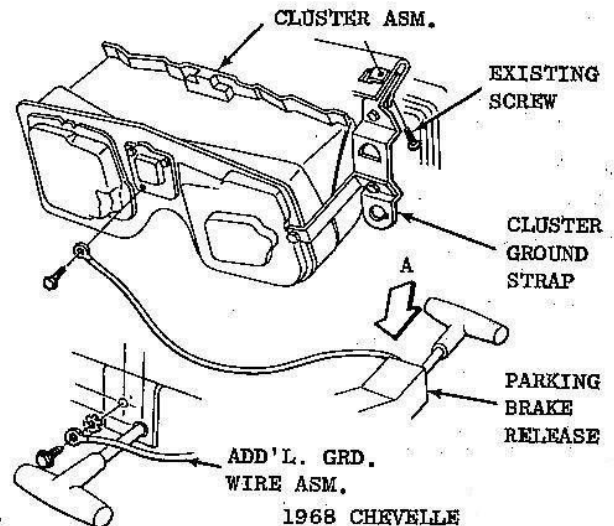
1. Review above symptoms of poor ground circuit affect.
2. Attach a jumper wire between a cluster unit screw and a good ground at pedal support.

NOTE: A cluster unit screw must be used because cluster has a plastic coated case and a good ground circuit cannot be obtained by holding wire against case.

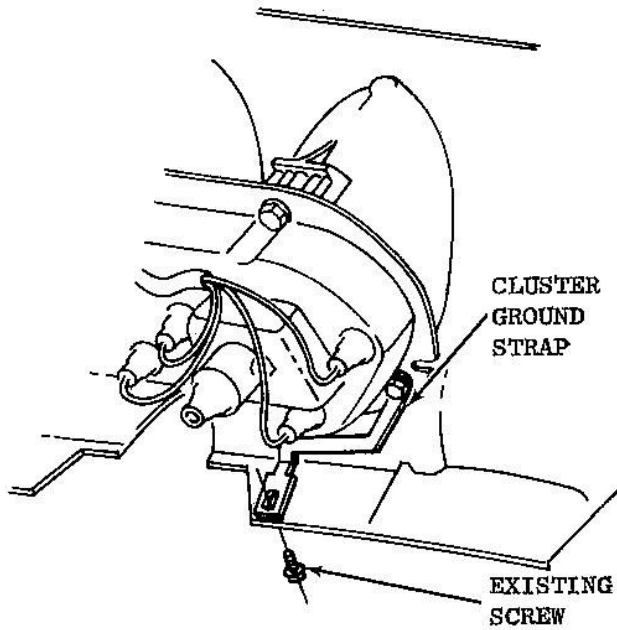
3. If malfunction is not corrected, continue diagnosis of the particular circuit affected.
4. If malfunction is corrected, install an auxiliary ground wire between a clock or clock opening screw and a good ground location at dash panel or brake pedal support. Use spade or ring terminals at each end of the wire.



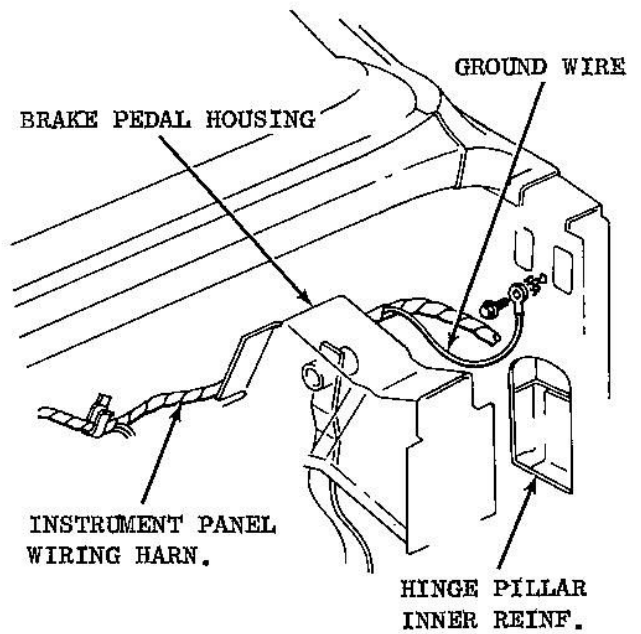
1968 CHEVROLET PASSENGER CAR  
INSTRUMENT CLUSTER GROUNDING



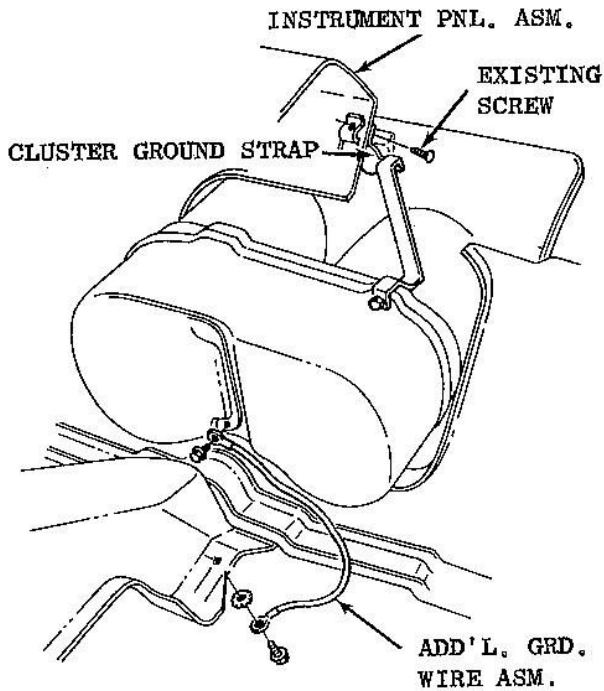
1968 CHEVELLE  
INSTRUMENT CLUSTER GROUNDING  
VIEW A



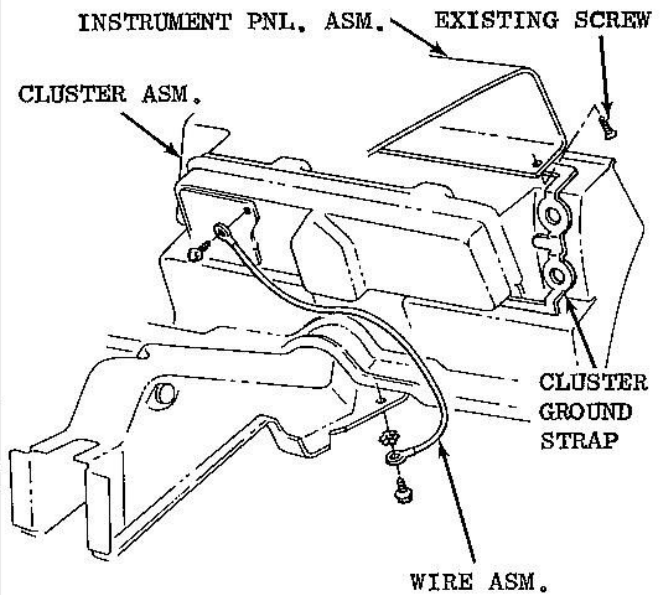
CURRENT 1968 CORVAIR  
INSTRUMENT CLUSTER GROUNDING



CURRENT 1968 CORVETTE  
INSTRUMENT CLUSTER GROUNDING



1968 CAMARO  
INSTRUMENT CLUSTER GROUNDING



1968 CHEVY II  
INSTRUMENT CLUSTER GROUNDING